

2010 NCAA HEAD SPECIFICATIONS Q & A

Q) WHAT ARE THE NEW NCAA 2010 CROSSE SPECIFICATIONS?

A) THE NEW 2010 NCAA CROSSE SPECIFICATIONS ARE A NEW SET OF STANDARDS FOR MEASURING THE DIMENSIONS ON A LACROSSE HEAD USED DURING A GAME WHERE NCAA MEN'S LACROSSE RULES ARE IN EFFECT.

SPECIFICALLY, IT OUTLINES 4 POINTS ON A LACROSSE HEAD THAT MUST CONFORM TO A SET OF MINIMUM DIMENSIONS FOUND IN THE 2009-10 NCAA MEN'S LACROSSE RULES AND INTERPRETATIONS BOOK, APPENDIX IV, P. 108-109:

THESE ARE IN ADDITION TO THE CURRENT RULES:

Measurement from the throat (inches)	Minimum distance between narrowest point of head
1.25" up	3.0" across (all measurements)
3.0" up	3.0" across (all measurements)
5.0" up	3.5" to 4" across on front; 3.5" across back
Widest Point	6" to 6.5" across on front; 6" across back

From the 1.25-inch measurement to the top of the crosse, the minimum distance between the sidewalls is 3"

Q) WHEN DO THE NEW NCAA 2010 CROSSE SPECIFICATIONS GO INTO EFFECT?

A) THE NEW 2010 NCAA CROSSE SPECIFICATIONS ARE CURRENTLY SCHEDULED TO GO INTO EFFECT ON JANUARY 1ST, 2010

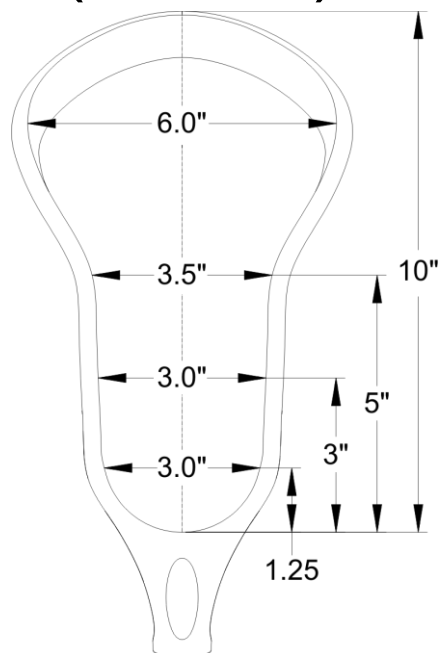
Q) WHO DO THE NEW NCAA 2010 CROSSE SPECIFICATIONS AFFECT?

A) THE NEW 2010 NCAA CROSSE SPECIFICATIONS AFFECT GAMES OFFICIATED UNDER NCAA MEN'S LACROSSE RULES AFTER JANUARY 1ST, 2010.

AFTER JANUARY 1ST, 2010, ASSUMING THE NEW CROSSE SPECIFICATIONS GO INTO EFFECT AS CURRENTLY SCHEDULED, IF A PLAYER USES A HEAD THAT DOES NOT CONFORM TO THE NEW NCAA 2010 CROSSE SPECIFICATIONS, THAT HEAD CAN BE FOUND TO BE ILLEGAL AND WILL BE SUBJECT TO PENALTY UNDER NCAA RULES.

IF YOU ARE AT ALL UNSURE ABOUT WHAT RULES YOUR TEAM CURRENTLY PLAYS UNDER YOU SHOULD CONTACT YOUR LOCAL OFFICIALS ASSOCIATION OR YOUR LOCAL GOVERNING BODY FOR CLARIFICATION.

NCAA 2010 (MINIMUMS)



HEAD AREA COMPARISON (MINIMUMS)

